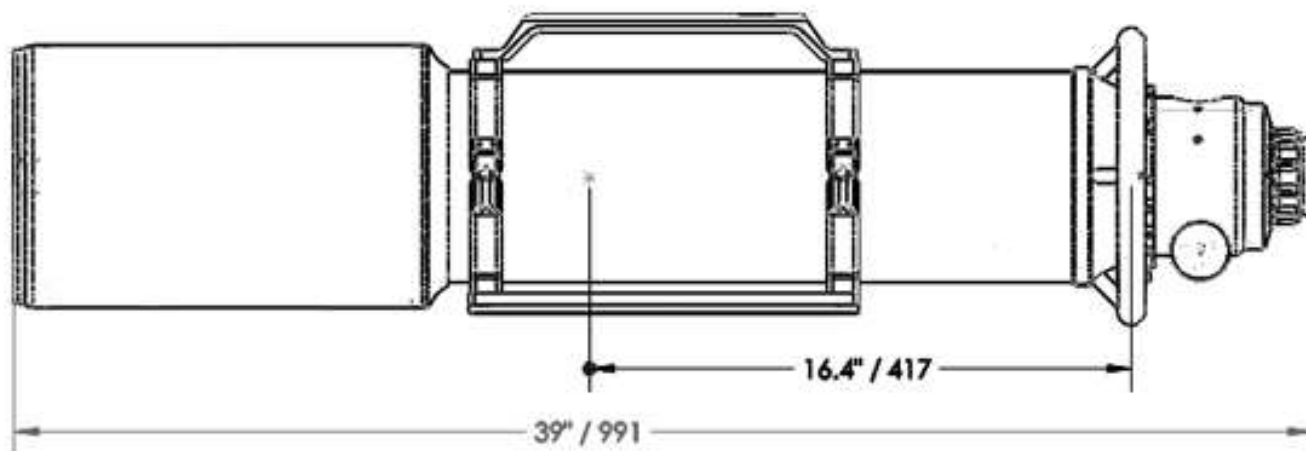


TEC APO160FL

Transportation length (shortest) 39" / 991mm

Center of Gravity (CoG) position from the middle of wheel 16.4" / 417mm



Length in working position with the focuser in the middle of focusing range 50.7" / 1288mm

Approximate CoG position from the middle of wheel and 2.5lb / 1kg load 15.6" / 396mm

