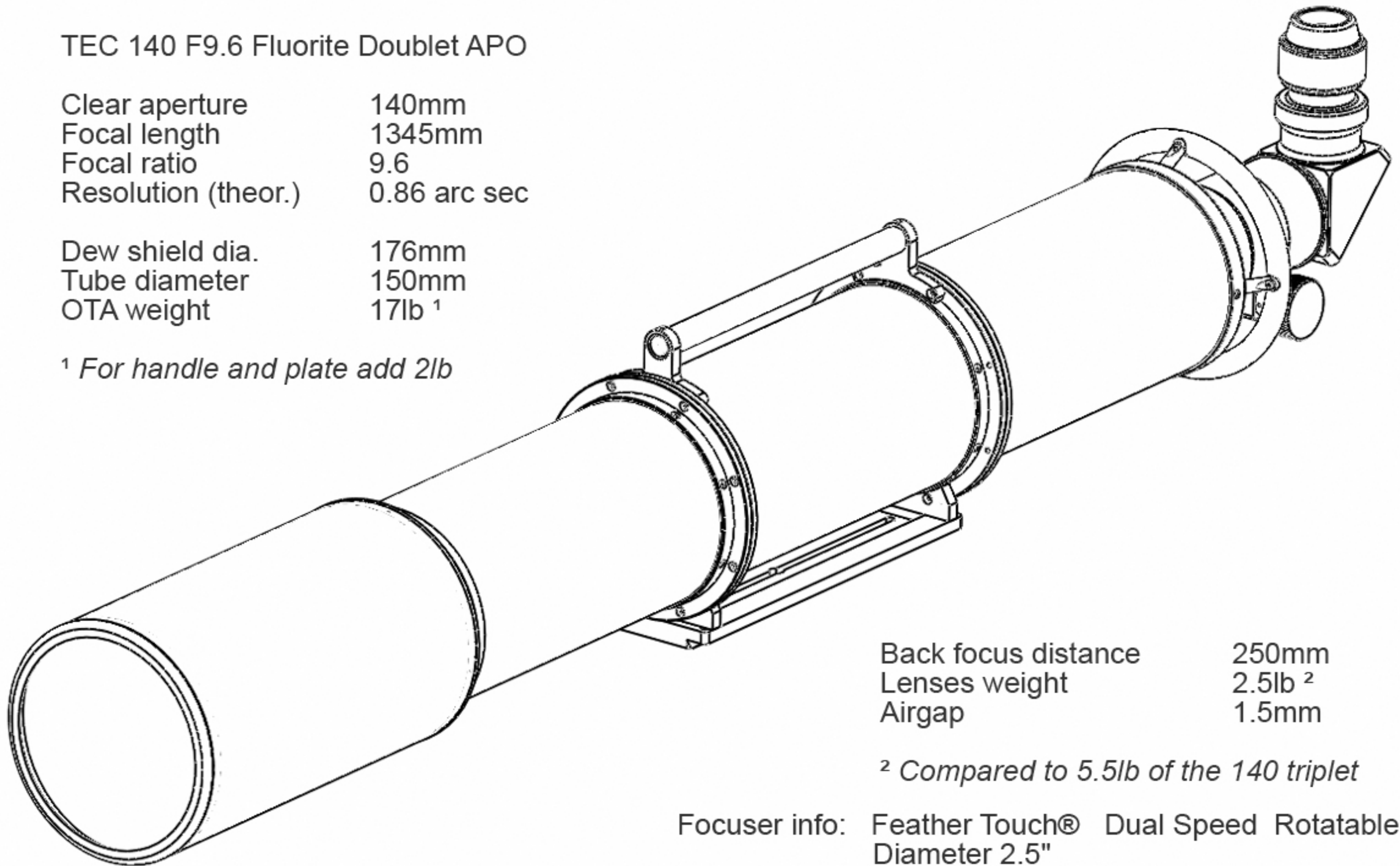


TEC 140 F9.6 Fluorite Doublet APO

Clear aperture	140mm
Focal length	1345mm
Focal ratio	9.6
Resolution (theor.)	0.86 arc sec

Dew shield dia.	176mm
Tube diameter	150mm
OTA weight	17lb ¹

¹ For handle and plate add 2lb



Back focus distance	250mm
Lenses weight	2.5lb ²
Airgap	1.5mm

² Compared to 5.5lb of the 140 triplet

Focuser info: Feather Touch® Dual Speed Rotatable
Diameter 2.5"
Draw tube travel 3.5" (90mm)