

# TEC EYEPIECE TURRET



## **IMPORTANT - PLEASE READ THIS FIRST**

### **SAFETY WARNINGS**

#### **Do not disassemble !**

The Eyepiece Turret is made so it cannot be disassembled by the user. Attempting to disassemble it could result in personal injury and/or item malfunction.

### **CONTACT INFORMATION**

If you have any questions or need assistance - please contact us:

Phone: 303 273 9322 • Fax: 303 273 0204 • E-mail: [tec@telescopeengineering.com](mailto:tec@telescopeengineering.com)  
Telescope Engineering Company • 15730 West 6-th Ave. Golden Colorado, 80401. USA

### **OVERVIEW**

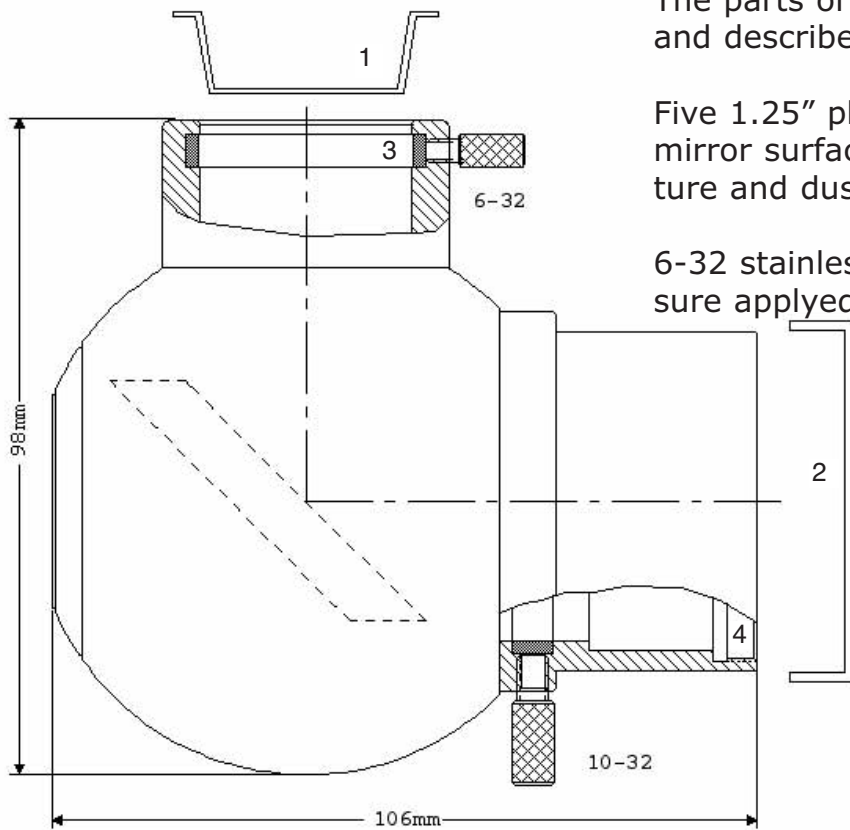
The TEC Eyepiece Turret (I-Turret) is a precision CNC-machined holder for five 1.25" eyepieces. Each unit contains: 17 CNC machined parts (no plastic, all metal), 16 small parts (screws, pins, etc.), 1 ruby ball, 1 mirror and Tec logo.

The I-Turret is a fine instrument and should be handled with care, it requires little or no maintenance under normal use. The mirror and moving mechanical components are aligned at the factory during assembly. Due to the rugged construction of the turret, the unit should remain its function for a long period of time.

## TECHNICAL SPECIFICATIONS

Eyepiece diameter:	1.25"
Eyepiece quantity:	5
Main barrel diameter:	2"
Barrel thread size (for filters) :	M48 x 0.75
Mirror substrate:	Sitall or Quartz
Optical quality:	1/10 PV
Coating:	Enhanced Aluminum
Reflectivity:	96-97% (450-650nm)
Weight:	760g (27oz)

## USING YOUR TURRET



The parts of turret and their functions are identified and described below.

Five 1.25" plastic plugs (1) and 2" cover (2) protect mirror surface and other internal parts from moisture and dust.

6-32 stainless screw holds eyepiece in place, pressure applied through brass spring ring (3).

For comfortable viewing, Turret's body is 360° rotatable; release 10-32 screw and rotate Turret's body to the needed position and then tighten the screw. The TEC logo orientation corresponds with the eyepiece position in use. Main 2" barrel has internal thread (4) M48x0.75 for filters.

Insert a set of 5 eyepieces of your preference in the order so that focal length increases. Install the I-Turret in your telescope eyepiece holder and

tighten it firmly. Observe first with lowest power eyepiece and then switch to higher power eyepiece by turning Turret body to the next eyepiece, you will hear a click sound when Ruby ball get in the next position in the internal indexing ring hole.

If your eyepiece has a groove deeper than 0.5mm, you may have difficulty to tighten the eyepiece in 1.25" barrel. In such case you may insert such eyepiece not all the way in, same principle could be used for adjusting positions of non parfocal eyepieces.

## OPTIONAL EQUIPMENT

Mahogany case (\$140) will safely store your I-Turret and 6 eyepieces in place.

## WARRANTY

Telescope Engineering Company guarantees this product to be free of any defects in material or workmanship for 3 years to the original owner. Disassembly of I-Turret voids all warranties.